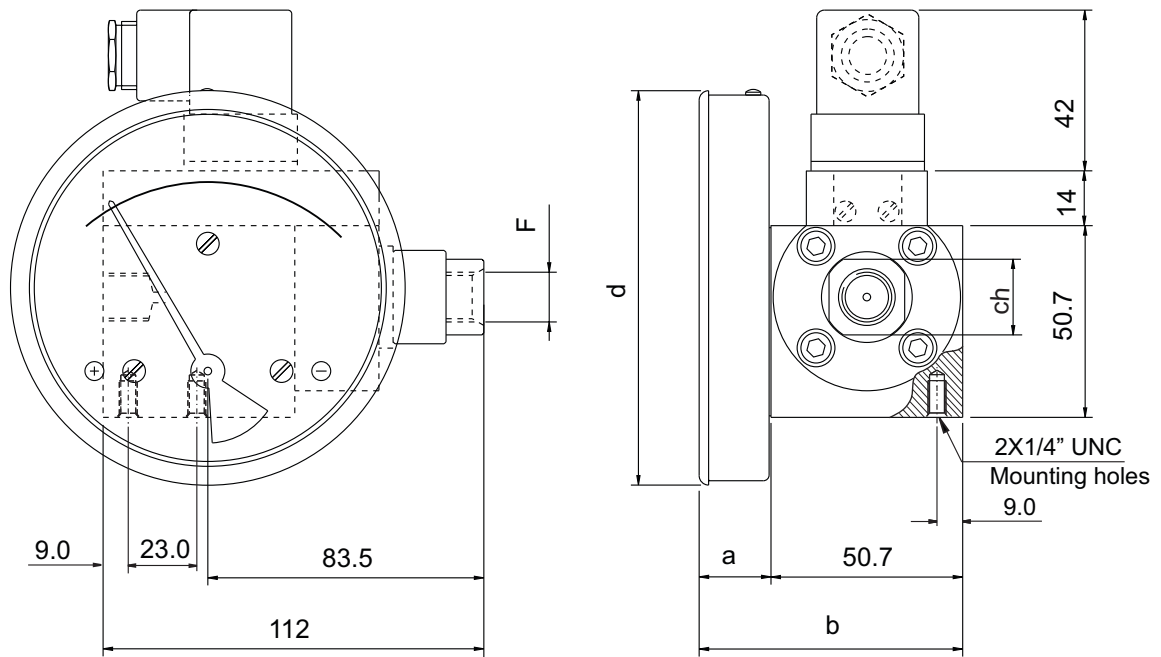
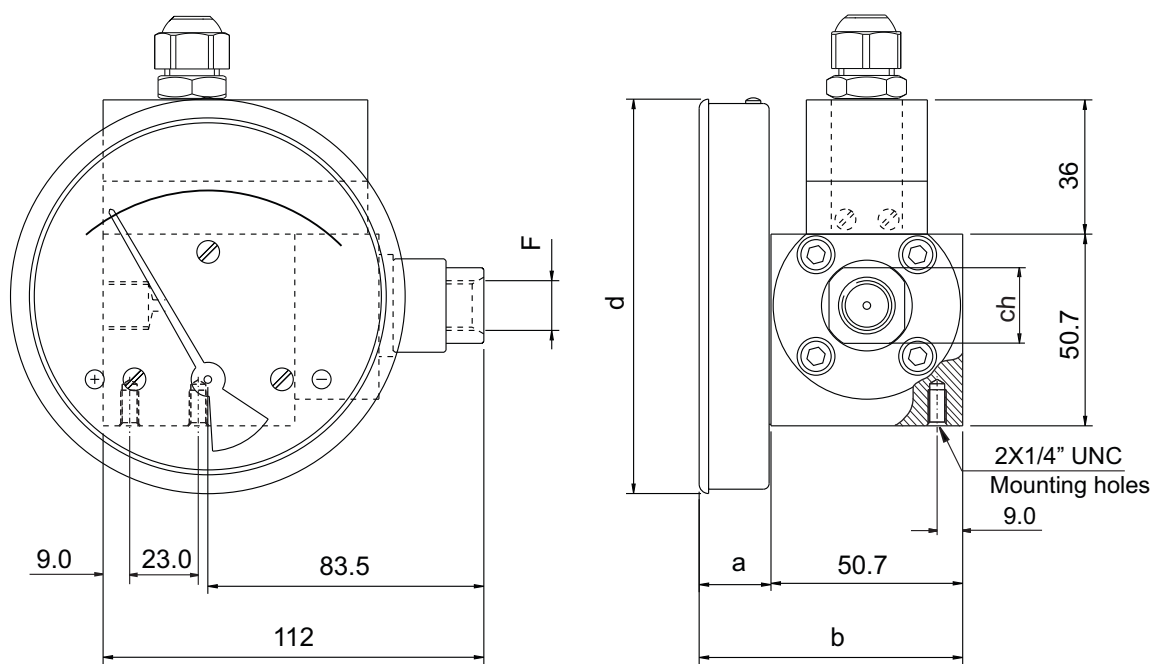


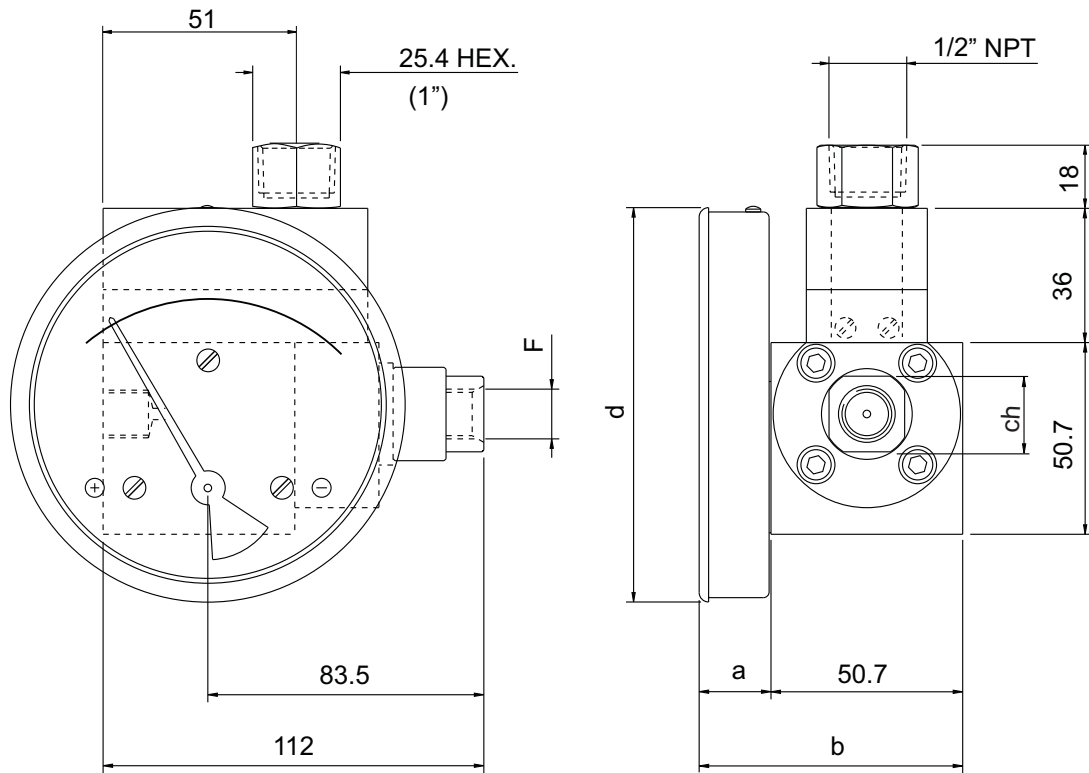
Manometer+Reedschalter mit DIN-Stecker, Klemmleiste



DIAL Ø	F	a	b	d	ch
63 (2.5")	1/4"BSP - 1/4"NPT	19	69.7	66	20
80 (3.5")	1/4"BSP - 1/4"NPT	19	69.7	83	20
100 (4")	1/4"BSP - 1/4"NPT	19	69.7	104.3	20
115 (4.5")	1/4"BSP - 1/4"NPT	19	69.7	119.7	20
150 (6")	1/4"BSP - 1/4"NPT	19	69.7	154.3	20

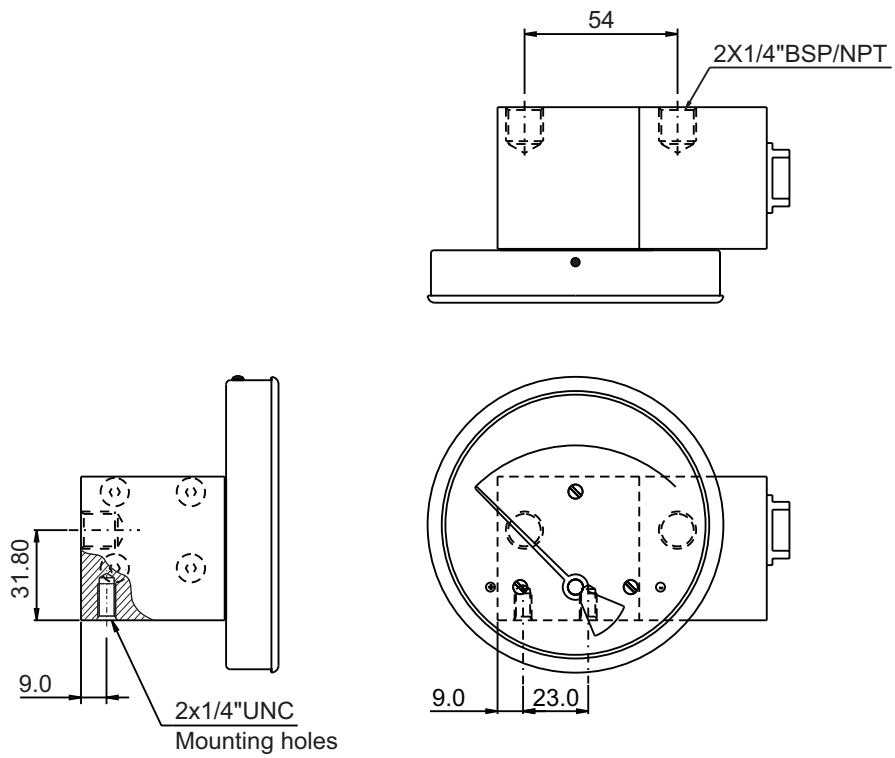


Manometer+Reedschalter Klemmleiste und 1/2" Kanalanschluss

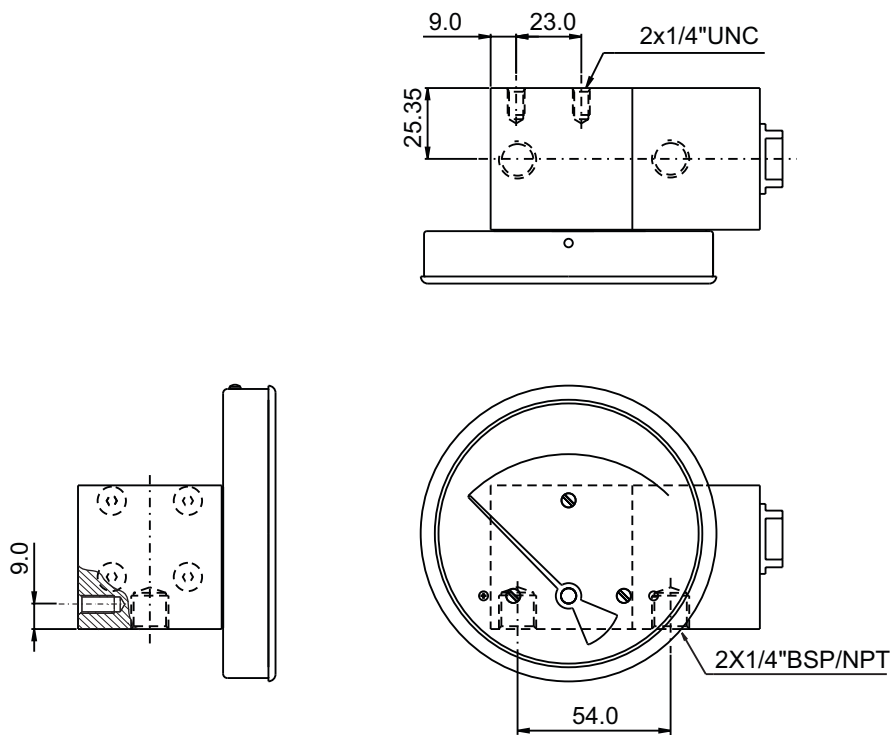


DIAL Ø	F	a	b	d	ch
63 (2.5")	1/4"BSP - 1/4"NPT	19	69.7	66	20
80 (3.5")	1/4"BSP - 1/4"NPT	19	69.7	83	20
100 (4")	1/4"BSP - 1/4"NPT	19	69.7	104.3	20
115 (4.5")	1/4"BSP - 1/4"NPT	19	69.7	119.7	20
150 (6")	1/4"BSP - 1/4"NPT	19	69.7	154.3	20

Hinten



Unten



NOTE : 2x1/4\"UNC MOUNTING HOLES PROVIDED ON REQUEST.