

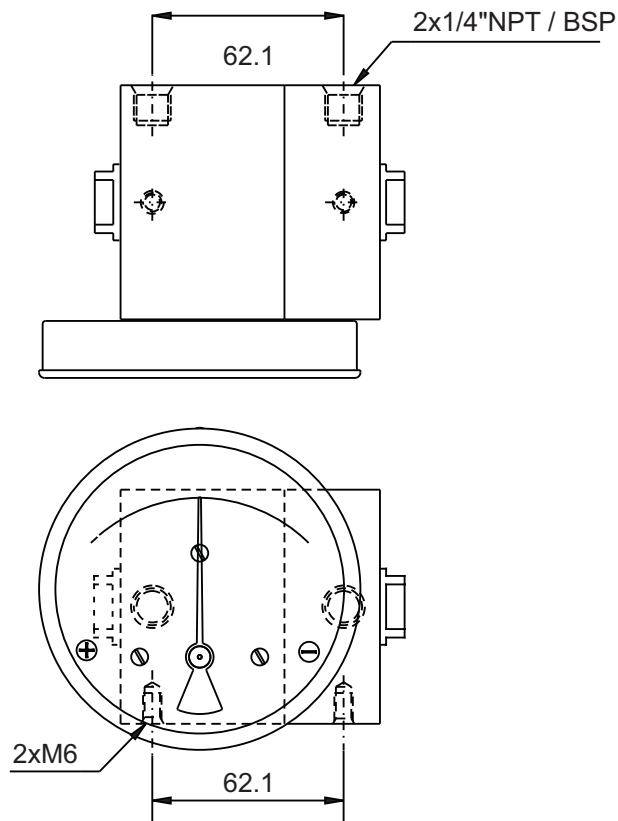
CZ 400DGC

(Membrangerät)

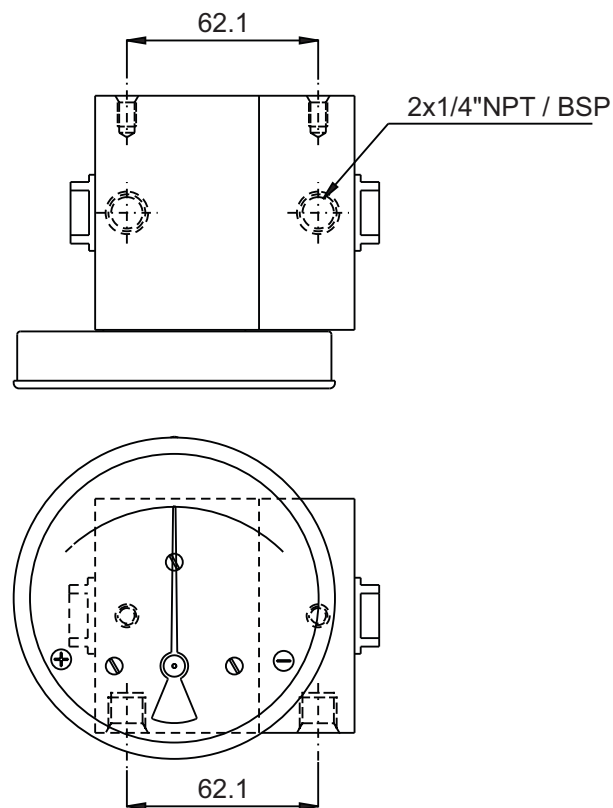
ANSCHLUSSLAGE

HIRLEKAR
PRECISION

Hinten



Unten



Note : 2 x M6 Mounting holes provided on adjacent face at the same porting distance.