

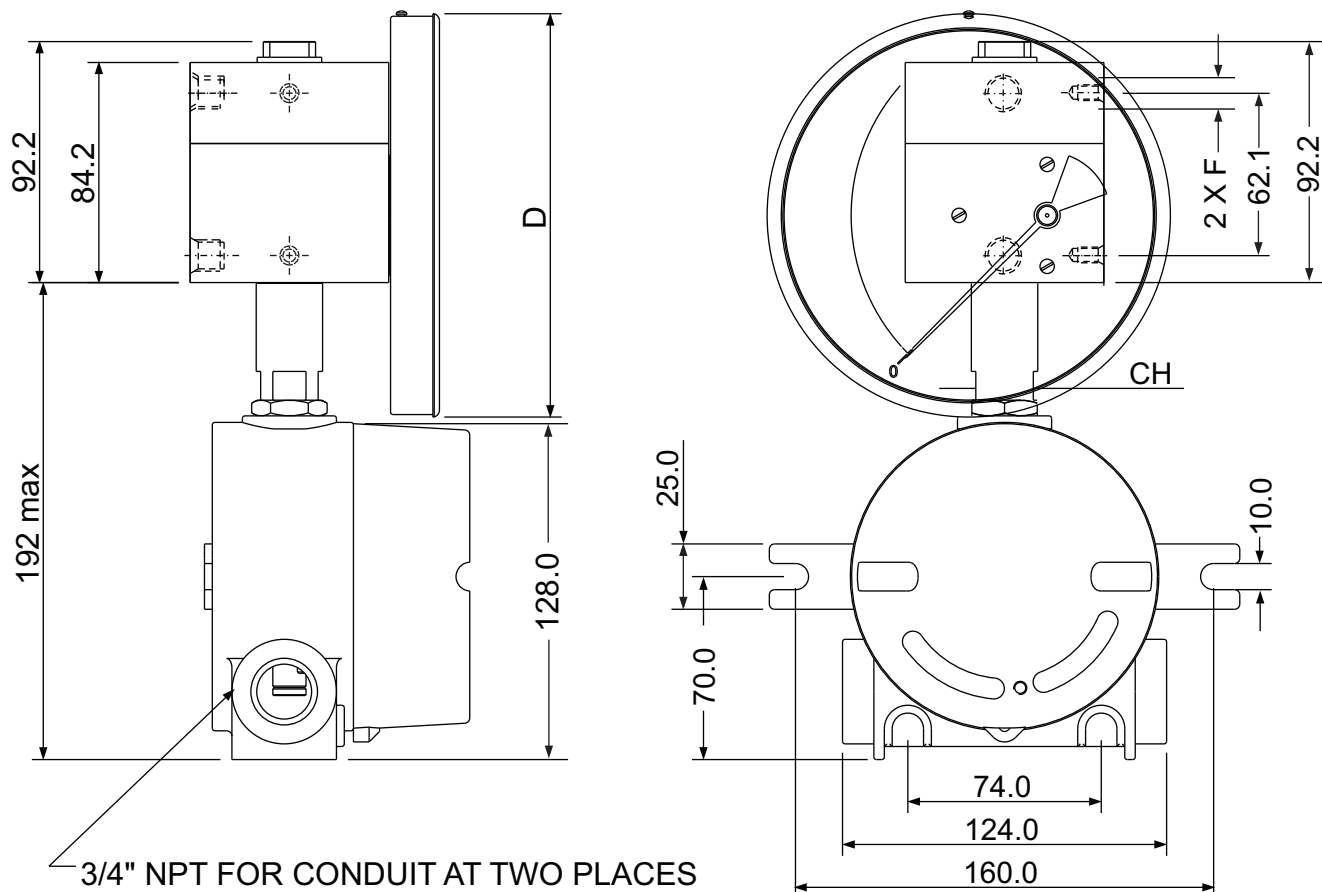
EX 400DGC

(Membrangerät)

ANSCHLUSSLAGE

HIRLEKAR
PRECISION

Hinten



DIAL Ø	F	A	B	D	CH
80 (3.5")	1/4" NPT / BSP	19	95.5	83	22
100 (4")	1/4" NPT / BSP	19	95.5	104.3	22
115 (4.5")	1/4" NPT / BSP	19	95.5	119.7	22
150 (6")	1/4" NPT / BSP	19	95.5	154.3	22