

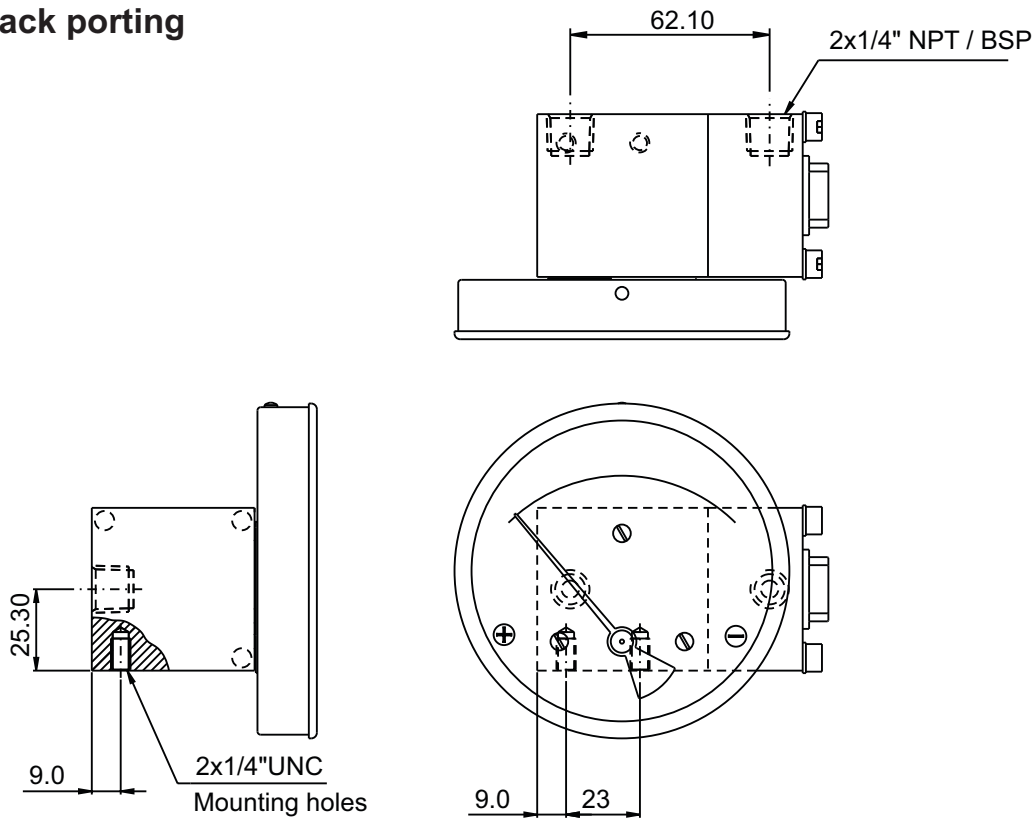
300 DGC

(Diaphragm Gauge)

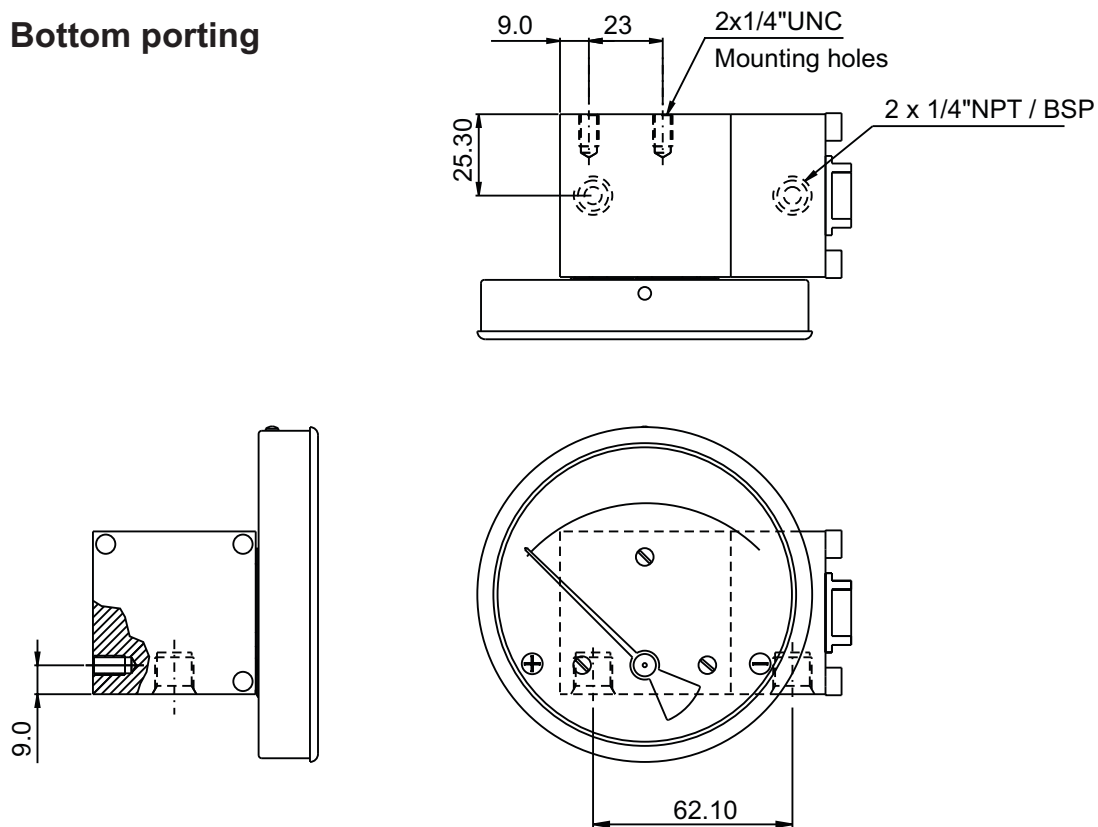
PORTING DETAILS

HIRLEKAR
PRECISION

Back porting



Bottom porting



NOTE : 2x1/4"UNC MOUNTING HOLES PROVIDED ON REQUEST.