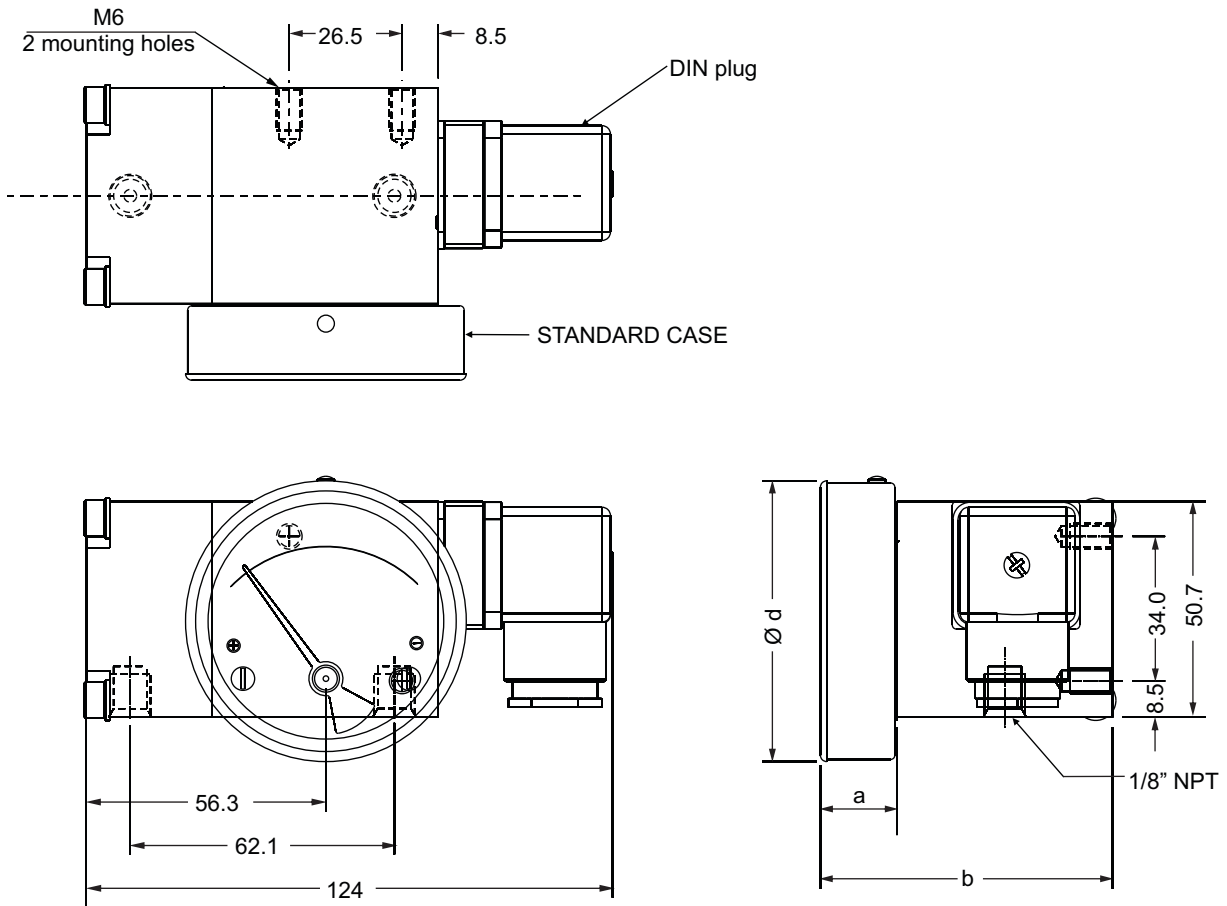


# 320 DGC

(Diaphragm Gauge)

## STANDARD DIMENSIONS

### Bottom Porting



DIAL $\varnothing$	F	a	b	d
50 (2")	1/8"NPT (F)	15	66	53
63 (2.5")	1/8"NPT (F)	15	66	66

\* PANEL CUT OUT = d+ 1