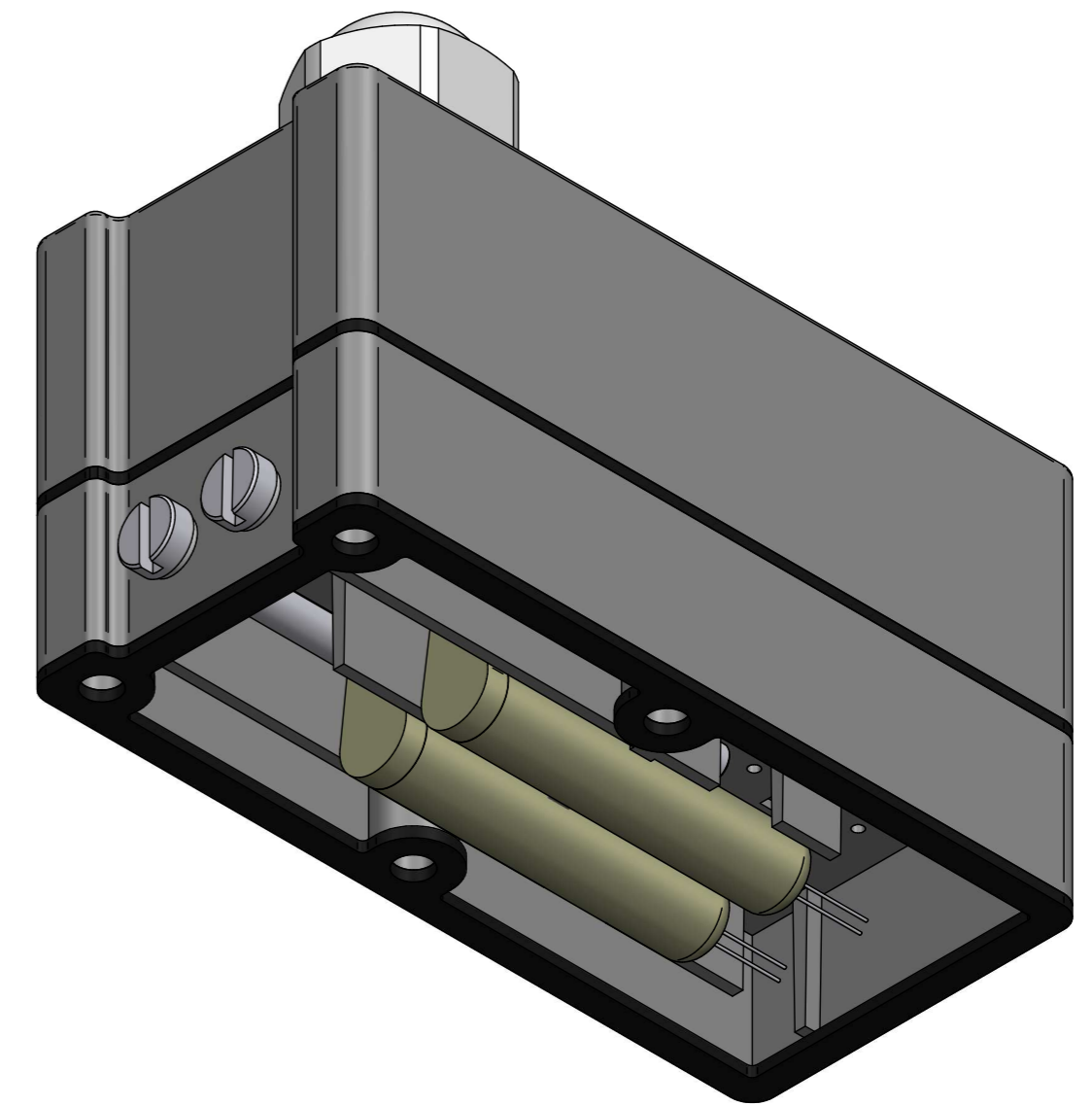
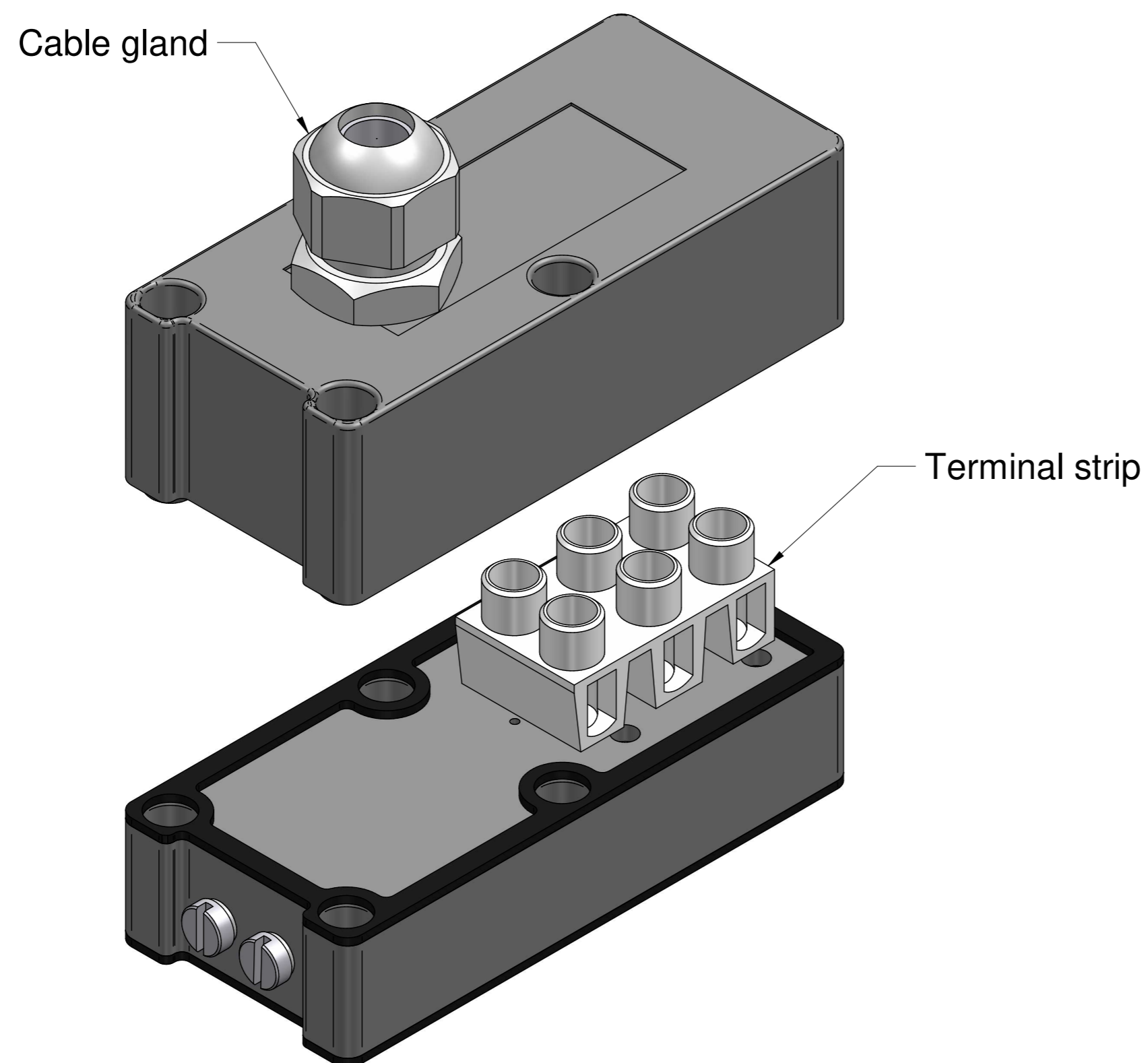


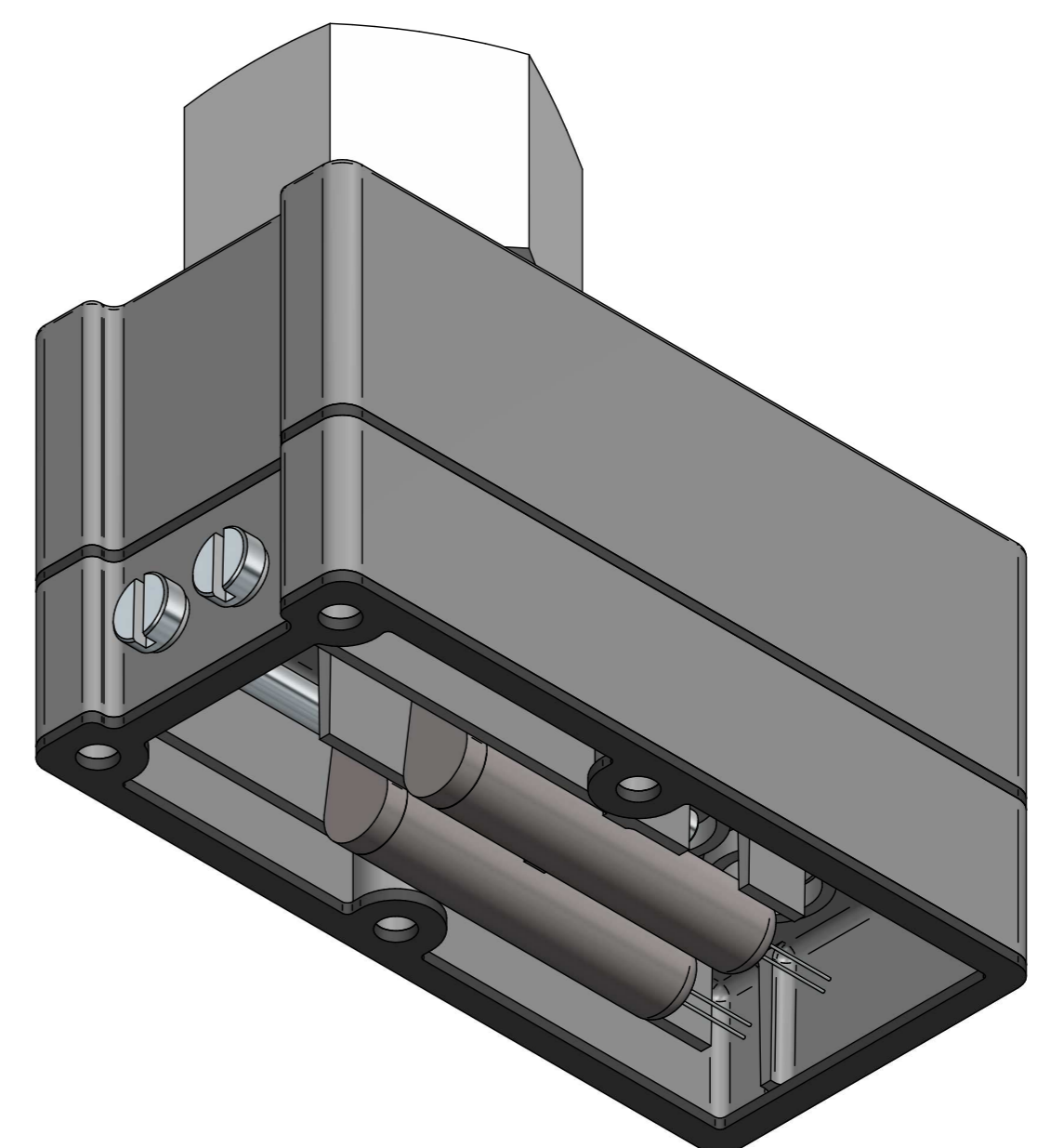
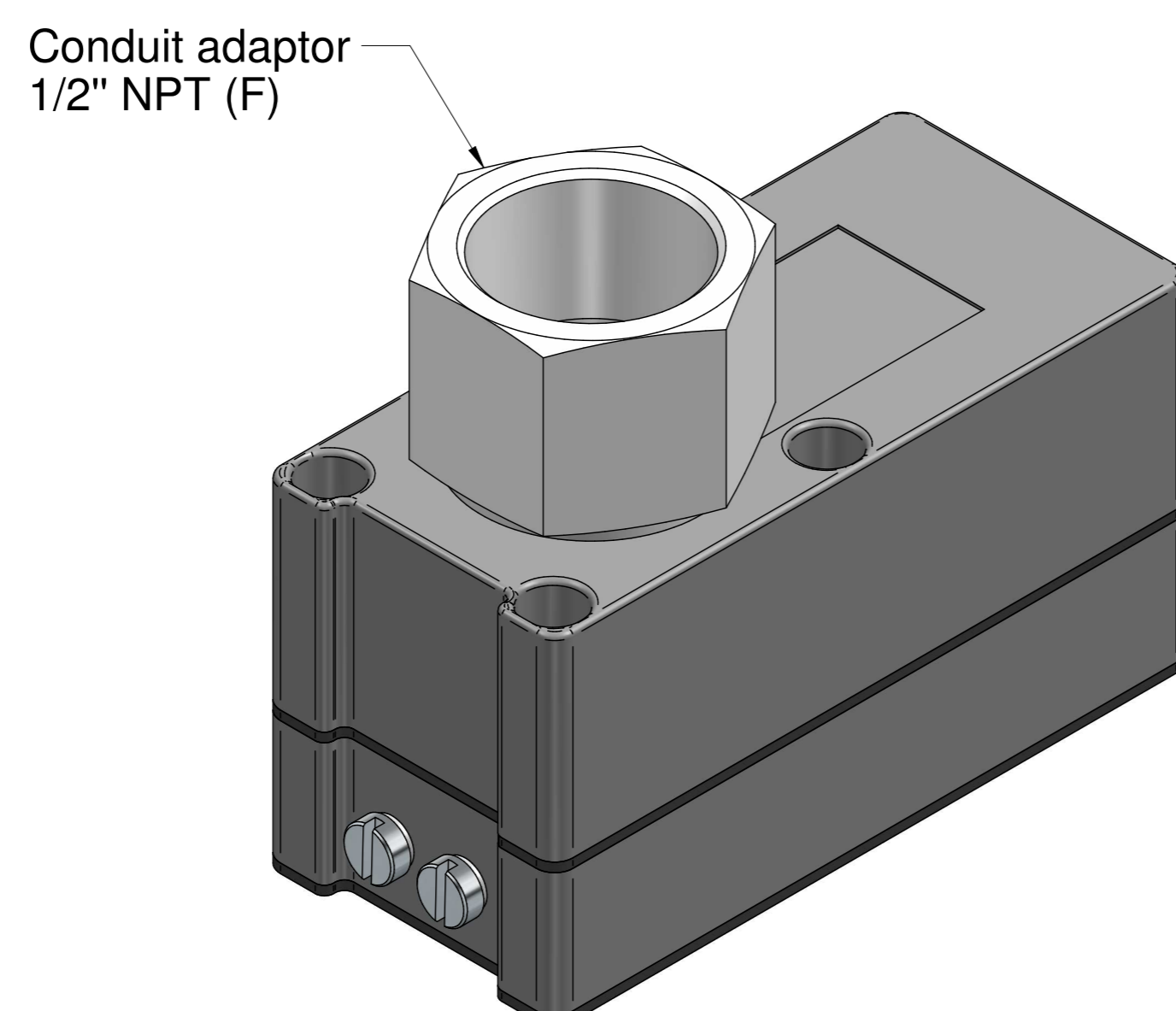
370 DGC (Diaphragm Gauge) SWITCH COVER COMBINATIONS

HIRLEKAR
PRECISION

Terminal strip and cable gland



1/2" NPT (F) Conduit adaptor



SWITCH COVER COMBINATIONS

Switch with DIN Plug

