

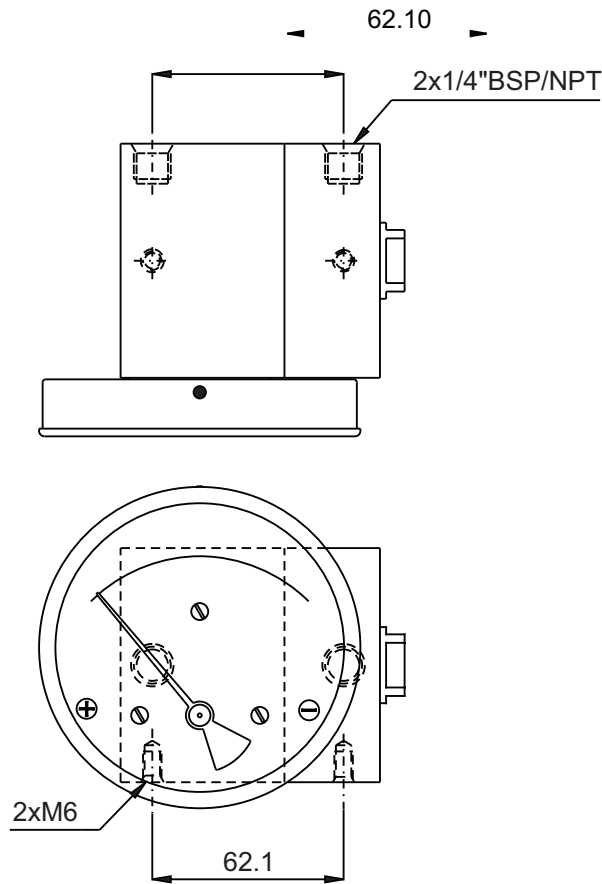
400 DGC

(Diaphragm Gauge)

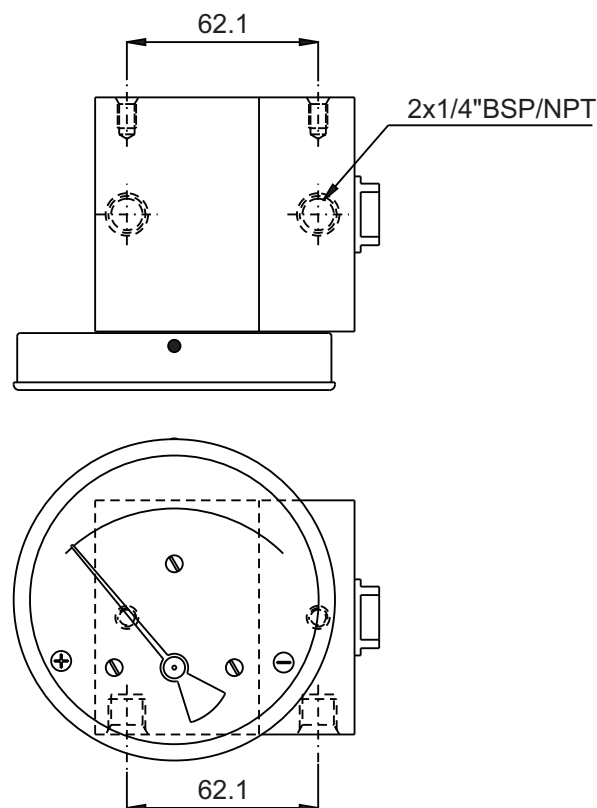
PORTING DETAILS

HIRLEKAR
PRECISION

Back porting



Bottom porting



Note : 2 x M6 Mounting holes provided on adjacent face at the same porting distance.