

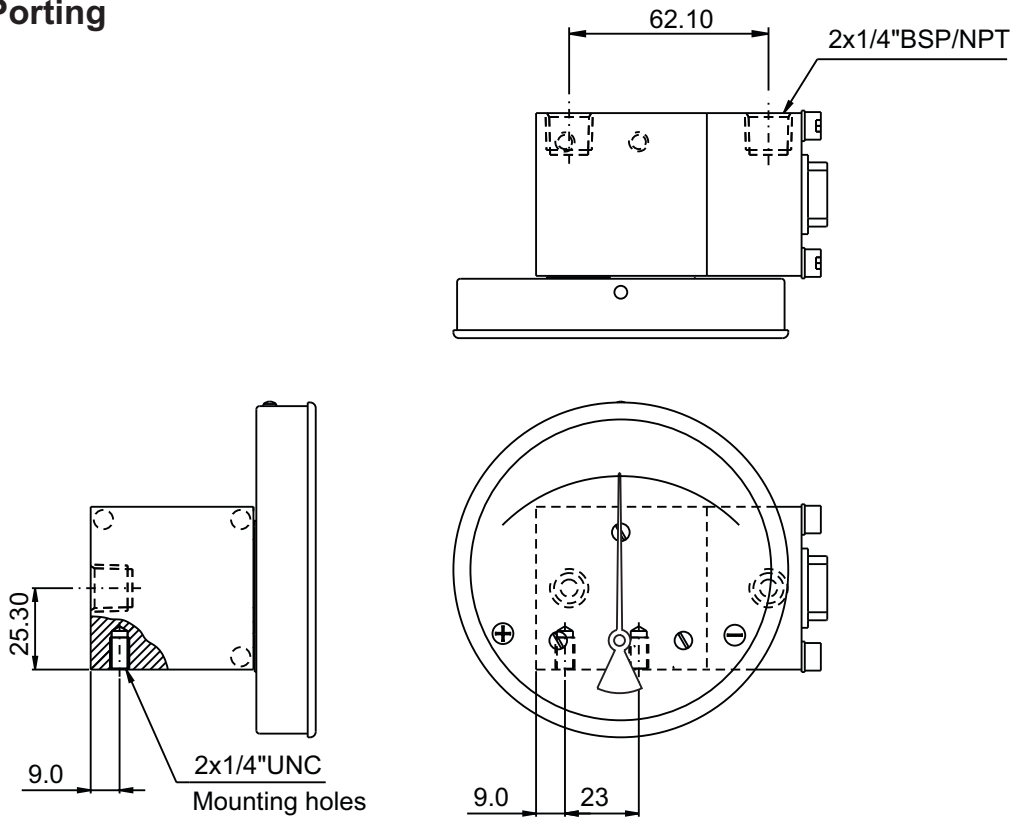
# CZ 300DGC

(Diaphragm Gauge)

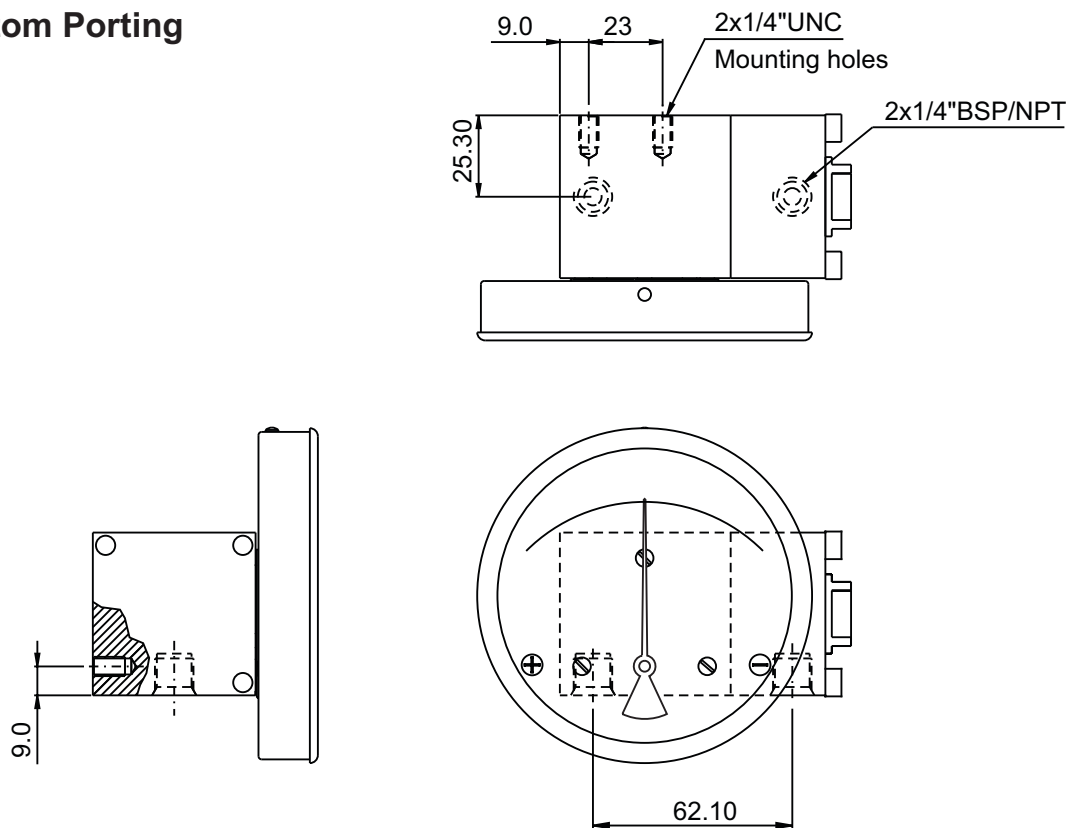
## PORTING DETAILS

**HIRLEKAR**  
PRECISION

### Back Porting



### Bottom Porting



NOTE : 2x1/4" UNC MOUNTING HOLES PROVIDED ON REQUEST.