

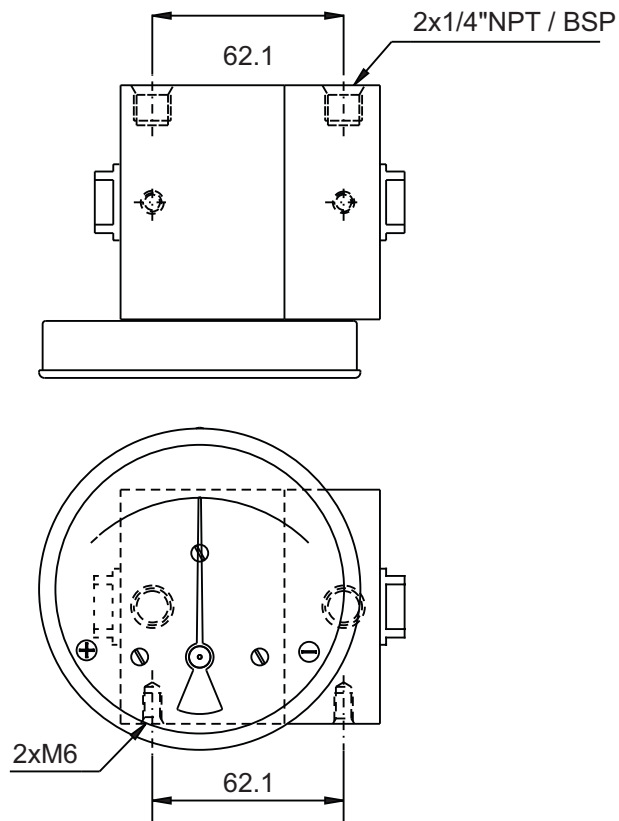
# CZ 400DGC

(Diaphragm Gauge)

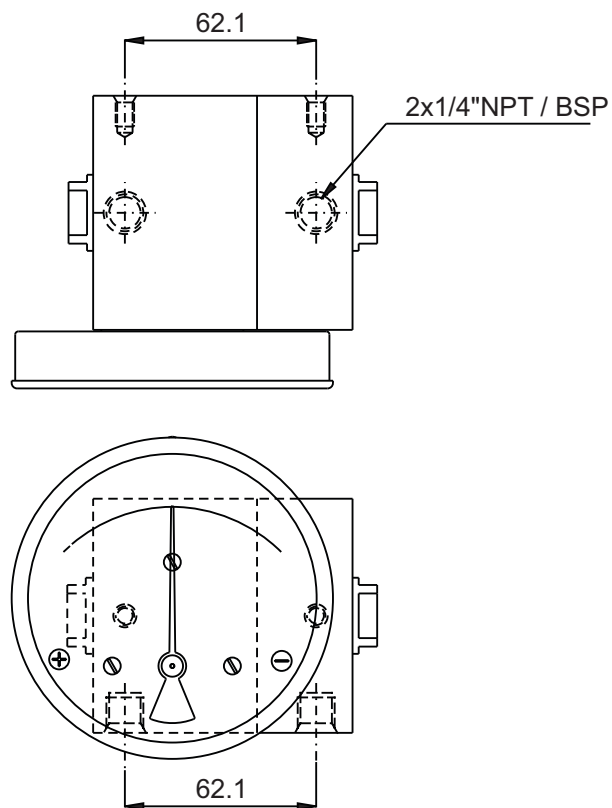
## PORTING DETAILS

**HIRLEKAR**  
PRECISION

### Back



### Bottom



Note : 2 x M6 Mounting holes provided on adjacent face at the same porting distance.