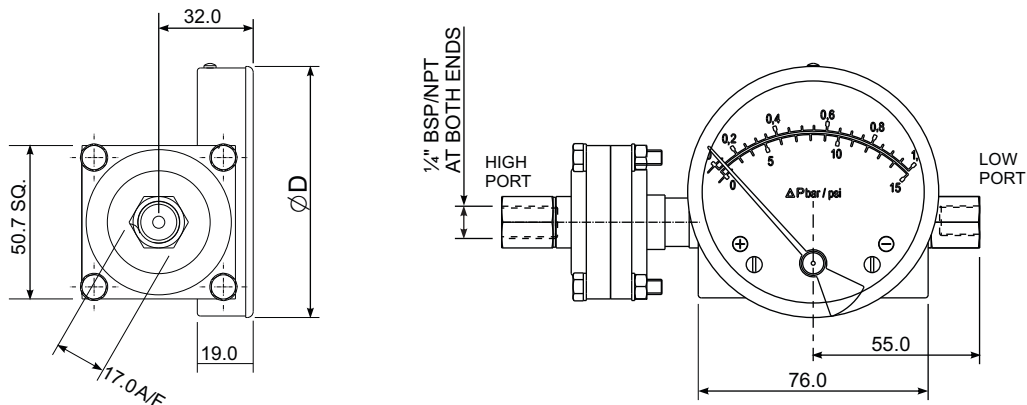


DX 20

(Diaphragm Gauge)

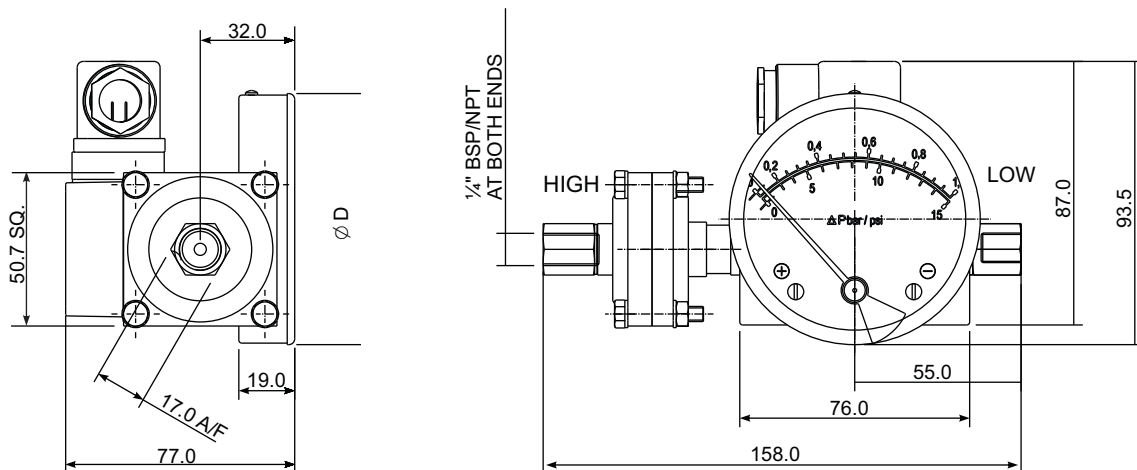
STANDARD DIMENSIONS

HIRLEKAR
PRECISION



DIAL \varnothing	D
80 mm	83
100 mm	104.3

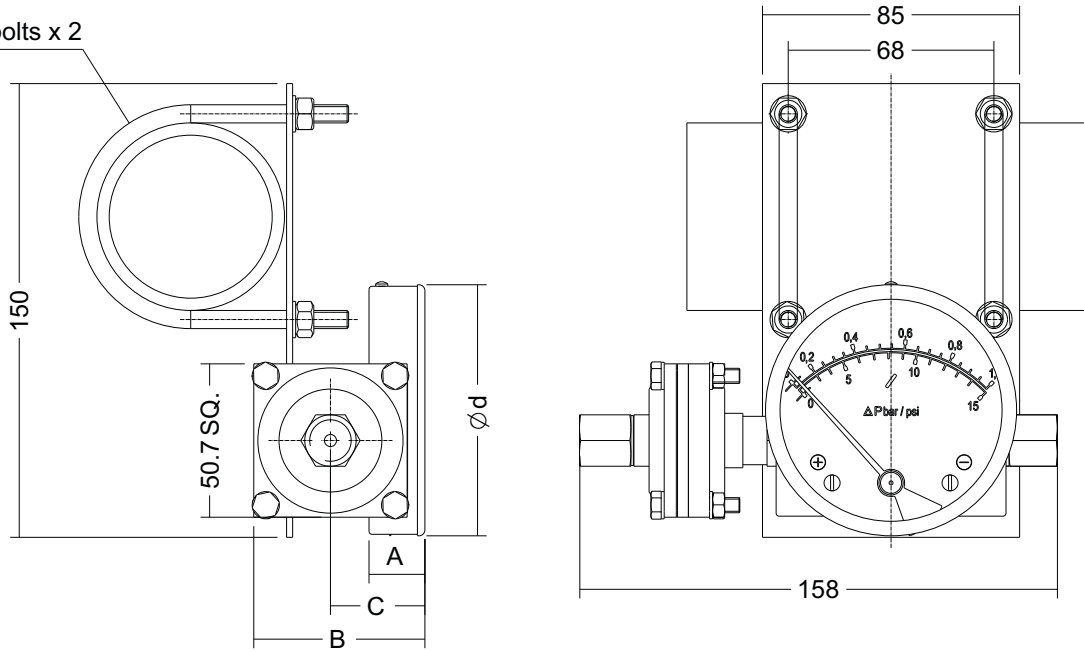
Gauge + Switch with reed contacts with DIN plug on top



DIAL \varnothing	D
80 mm	83
100 mm	104.3

Mounting Brackets

M6 U bolts x 2



DIAL Ø	F	A	B	C	d	D
80 (3.5")	1/4"BSP - 1/4"NPT	19	44	12.5	82	13
100 (4")	1/4"BSP - 1/4"NPT	19	44	12.5	102	104.3

* PANEL CUT OUT = d + 1