

# PR 20

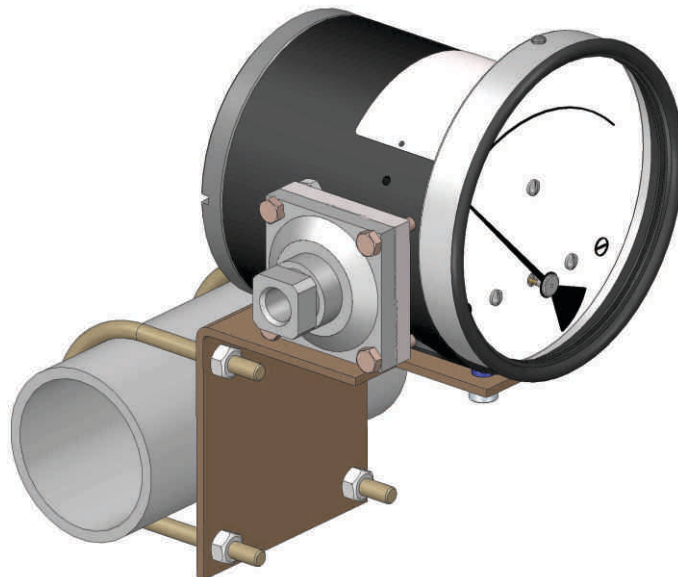
(Diaphragm Gauge)

## MOUNTING COMBINATIONS

---

**HIRLEKAR**  
PRECISION

### Horizontal pipe mounting



### Vertical pipe mounting

