

# 200 DPG (Piston Gauge)

## MOUNTING COMBINATIONS

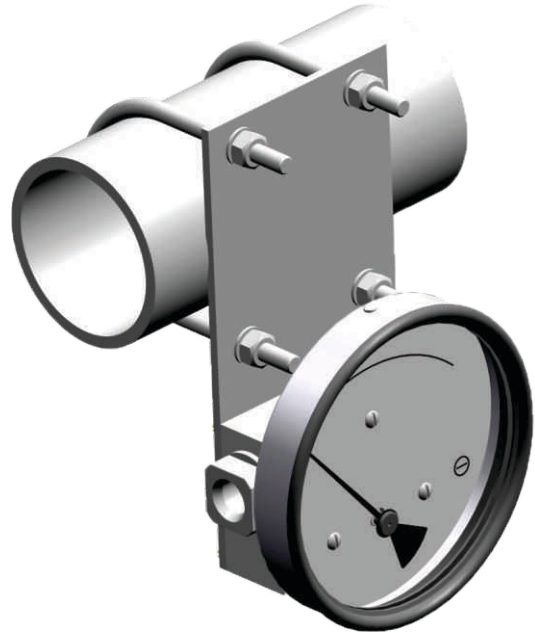
---

**HIRLEKAR**  
PRECISION

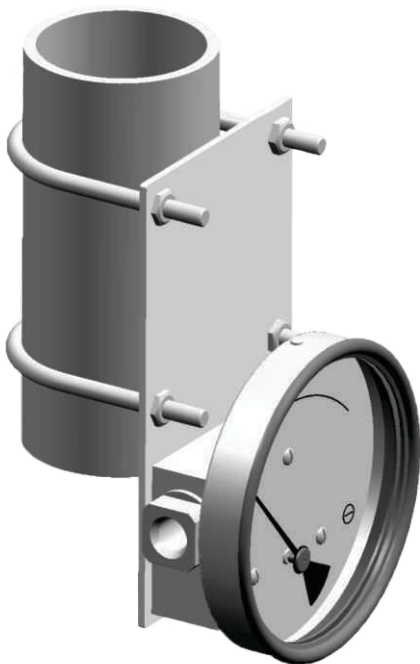
Surface Mounting



Horizontal Pipe Mounting



Vertical Pipe Mounting



Panel Mounting

