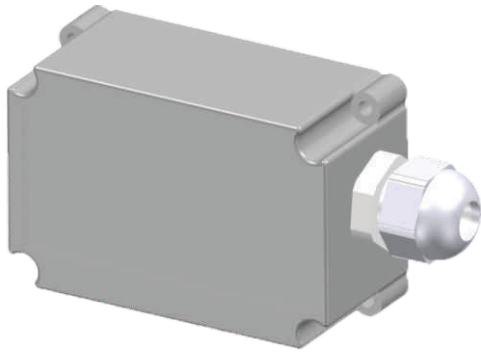


200 DPG (Piston Gauge)

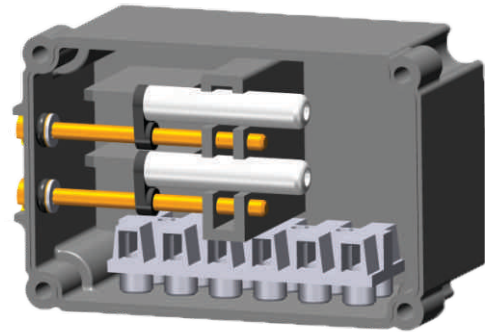
HIRLEKAR
PRECISION

SWITCH COVER COMBINATIONS

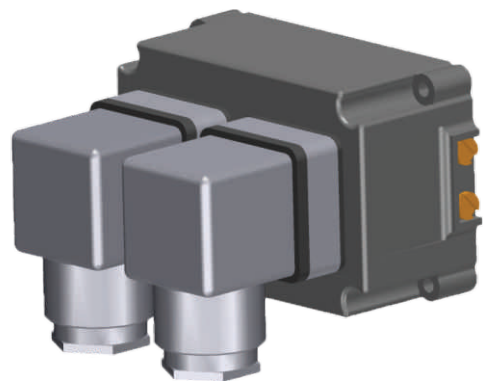
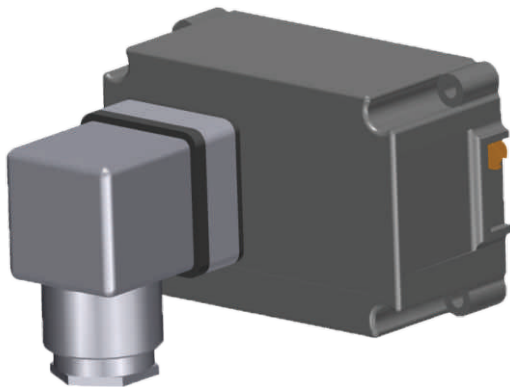
Terminal strip and
cable gland (IP65)



Switch cover inside view



DIN plug at back



DIN plug at top

