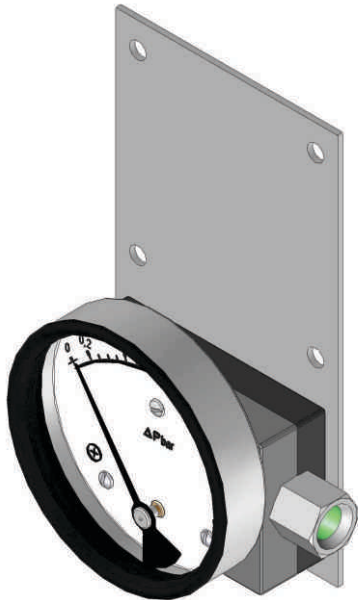


DX 10 (Piston Gauge)

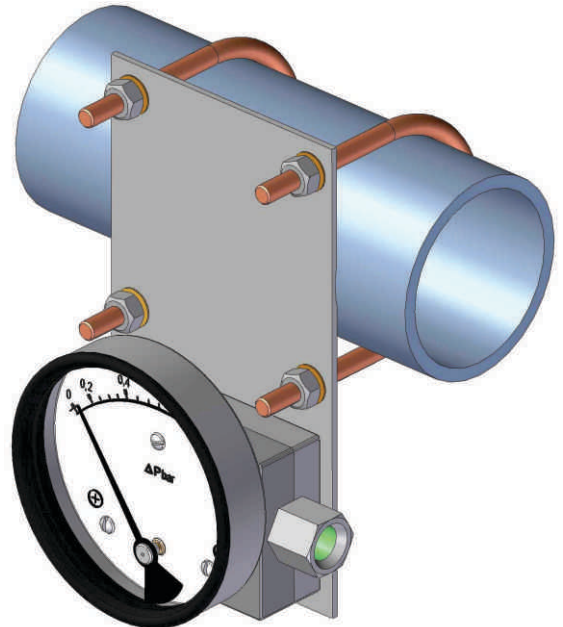
MOUNTING COMBINATIONS

HIRLEKAR
PRECISION

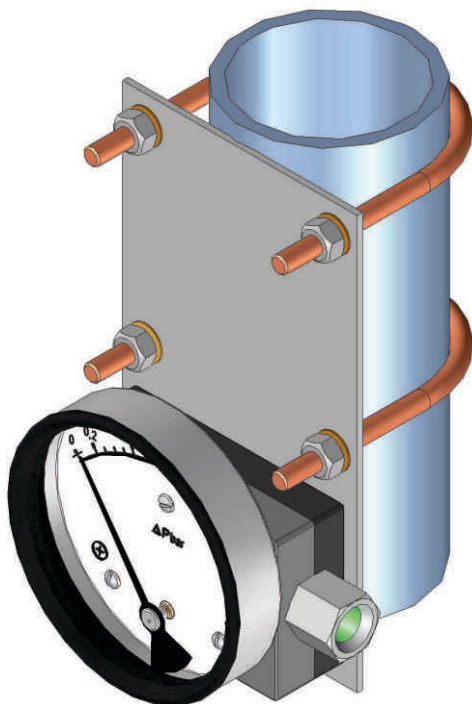
Surface Mounting



Horizontal Pipe Mounting



Vertical Pipe Mounting



Panel Mounting

